

# QRP

Quick Response Program



KILLARK® CertiLite® V Series sets a new standard for industrial grade HID luminaires. Designed for installations where moisture, dirt, dust, corrosion and vibration may be present; these fixtures are also suitable for NEMA 4X hose down areas and certain hazardous locations. (See catalog for ratings).

Now with QRP, select components are in stock at the factory and ready for shipping of up to 25 CertiLite V fixtures. A selection of Multitap ballast assemblies, mounting hoods, reflectors, globes and guards can be shipped 'QRP' in components to meet your exact application.

Details on Reverse Side

# CERTILITE<sup>®</sup>V Fixtures

## Shipped from Stock in 1-2 Working Days

STANDARD FEATURES		BENEFITS
	Swing-Barrel Nut Tank Mounting System	<ul style="list-style-type: none"> <li>Stainless-to-Stainless securement</li> <li>Takes load off during installation</li> <li>Uses ordinary tools</li> <li>Saves time and labor</li> </ul>
	Earthquake Tab - Built-in attachment point for safety cables	Safety: Secures fixture to structure in case of conduit failure. "3rd hand" accessories for lamp change out
	NEMA Decals	Easier Maintenance, Saves labor <i>"Have the right lamp in hand before going up the ladder."</i>
	"FULL CUTOFF" & CUTOFF Optics on VMER40 Reflector	For "Dark Sky" Requirements. Helps to minimize offending light pollution
OPTIONAL FEATURES		BENEFITS
	Sealed Optic Zone 2 AEx nAR Restricted Breathing (suffix NR)	NO External Seals. Lower T-codes, Suitable for Class I Div. 2 Classified areas per the NEC®
	All glass refractors	Compact (5-1/2" thread size, types I & V) Standard (7-3/4", thread size, types I, III, V) Enhances user selection flexibility
	New "EZ" mount adapter	Easier Maintenance, saves labor, move fixture from the ladder to the workbench
	Photo controls - Class I Div. 2 / N4X areas	Available as Field or Factory Installed to save energy when light not required
	Expanded lamp types and wattages	Philips® QL Induction type and 600Watt HPS available for long life or high lumen requirements
<b>NOTE: Optional features and single voltage ballasts not included in Quick Response Program</b>		

**Distributed By:**



# KILLARK®

# QRP

# CERTILITE<sup>®</sup>V

*The Logical Choice*

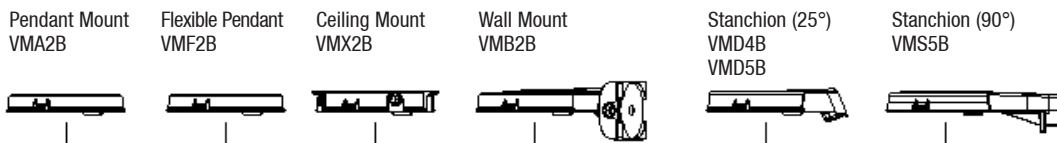
Quick Response Program

**2009 EISA Compliant**

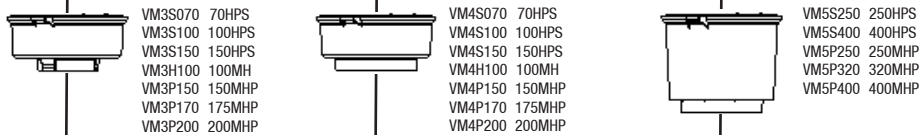
## Effective Immediately:

With Killark's Quick Response Program, you can order a maximum of 25 CertiLite<sup>®</sup>V components from each of the following categories and we will ship within 1-2 working days, depending on when the order is entered.

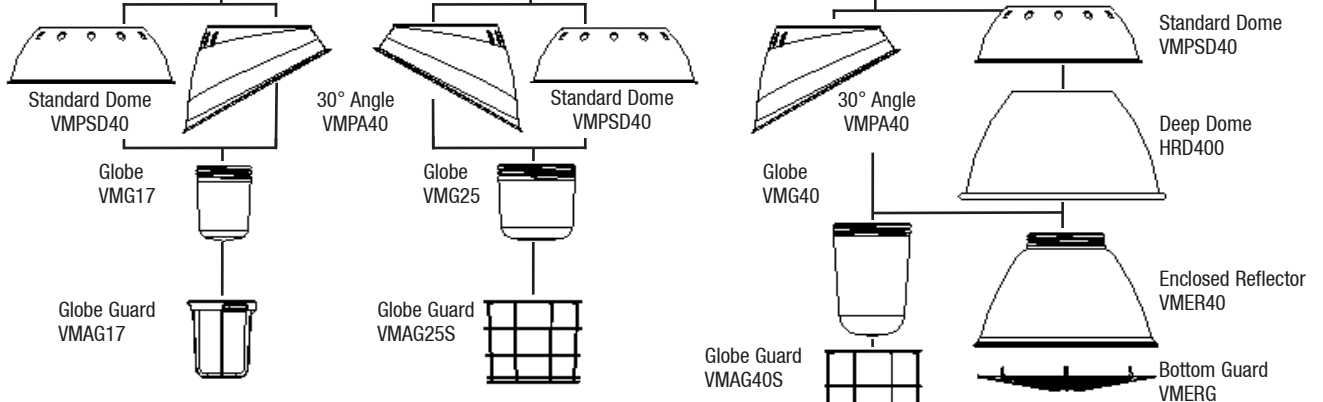
### Mounting Splice Boxes:



### Ballast Tanks:



### Reflectors:



**KILLARK<sup>®</sup>**